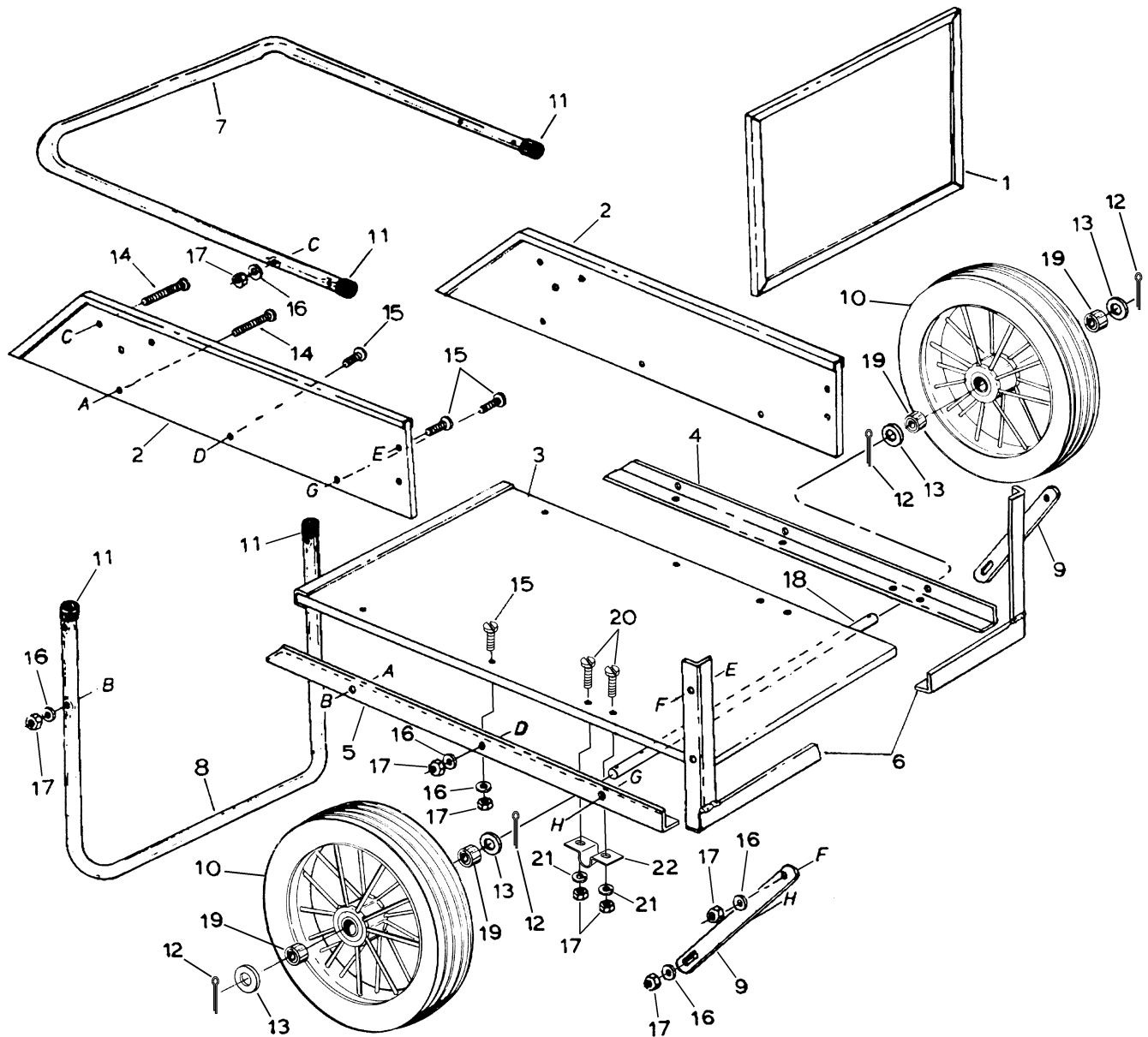


MODEL 45-01763 7 CU. FT. FARM/YARD CART



REF. NO.	PART NO.	QTY.	DESCRIPTION	REF. NO.	PART NO.	QTY.	DESCRIPTION
1	47585	1	Front Panel	12	43010	4	Cotter Pin, 1/8" x 1-1/4" Lg.*
2	47586	2	Side Panel	13	43949	4	Flat Washer 25/32" I.D. x 1-1/2" O.D.
3	47587	1	Bottom Panel	14	47584	8	Truss Head Screws 1/4-20 x 2" Lg.*
4	24891	1	Side Angle, L.H.	15	44259	15	Truss Head Screws 1/4-20 x 1" Lg.*
5	24892	1	Side Angle, R.H.	16	43088	23	Flat Washer, 1/4" I.D.*
6	62529	1	Front Angle	17	43178	27	Hex Nut, 1/4-20 Thread *
7	44018	1	Handle Tube	18	24890	1	Axle
8	44019	1	Leg Tube	19	44016	4	Bearing, Ball 3/4" I.D.
9	23606	2	Support Strap	20	44020	4	Truss Head Screws 1/4-20 x 1-1/4" Lg.*
10	48312	2	Wheel Assembly Complete w/Bearings (20")	21	43177	4	Lock Washer, 1/4" *
11	44021	4	Tube Caps	22	23917	2	Axle Clamp
				48325	1	Owner's Manual	

*Purchase Common Hardware Locally.